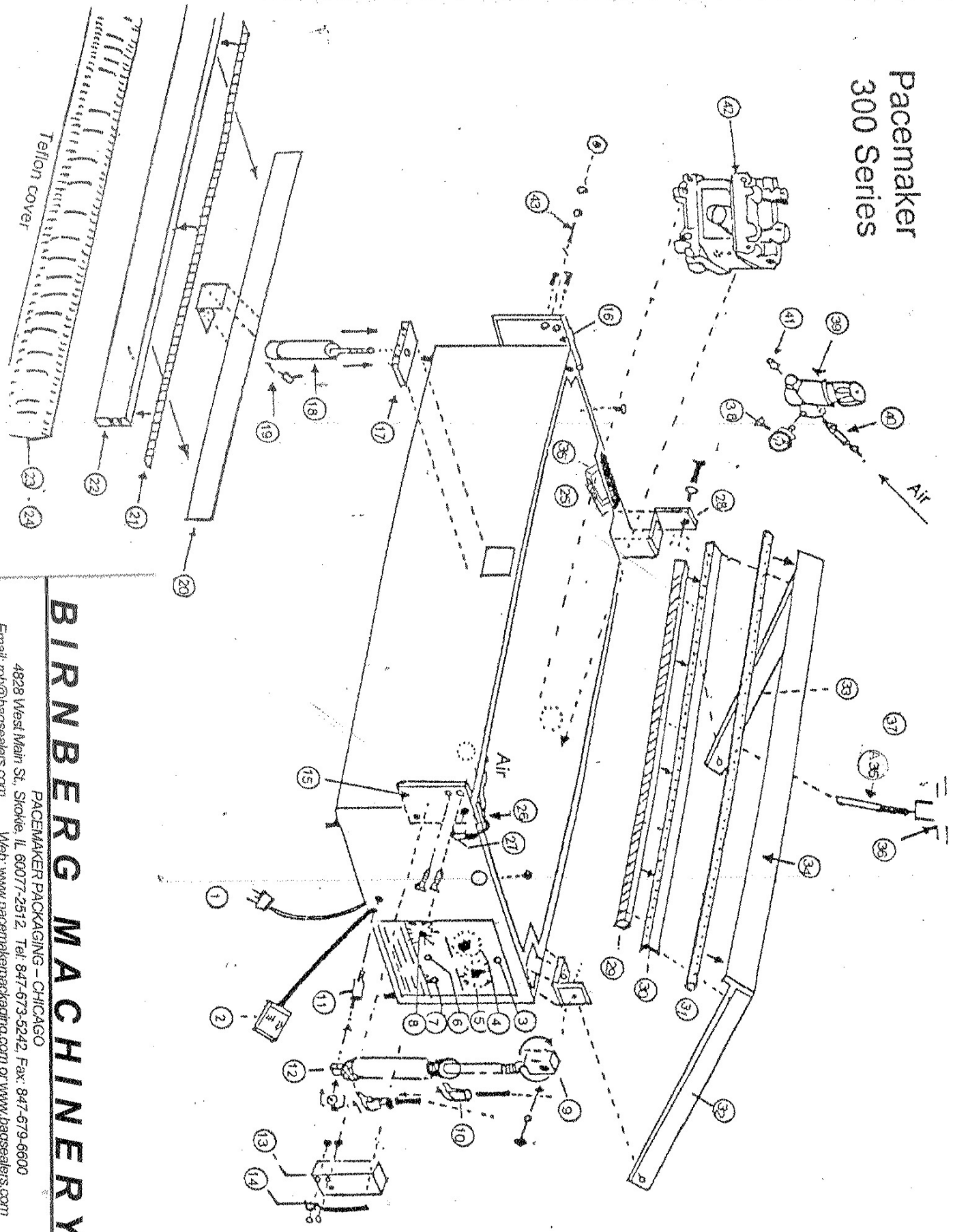


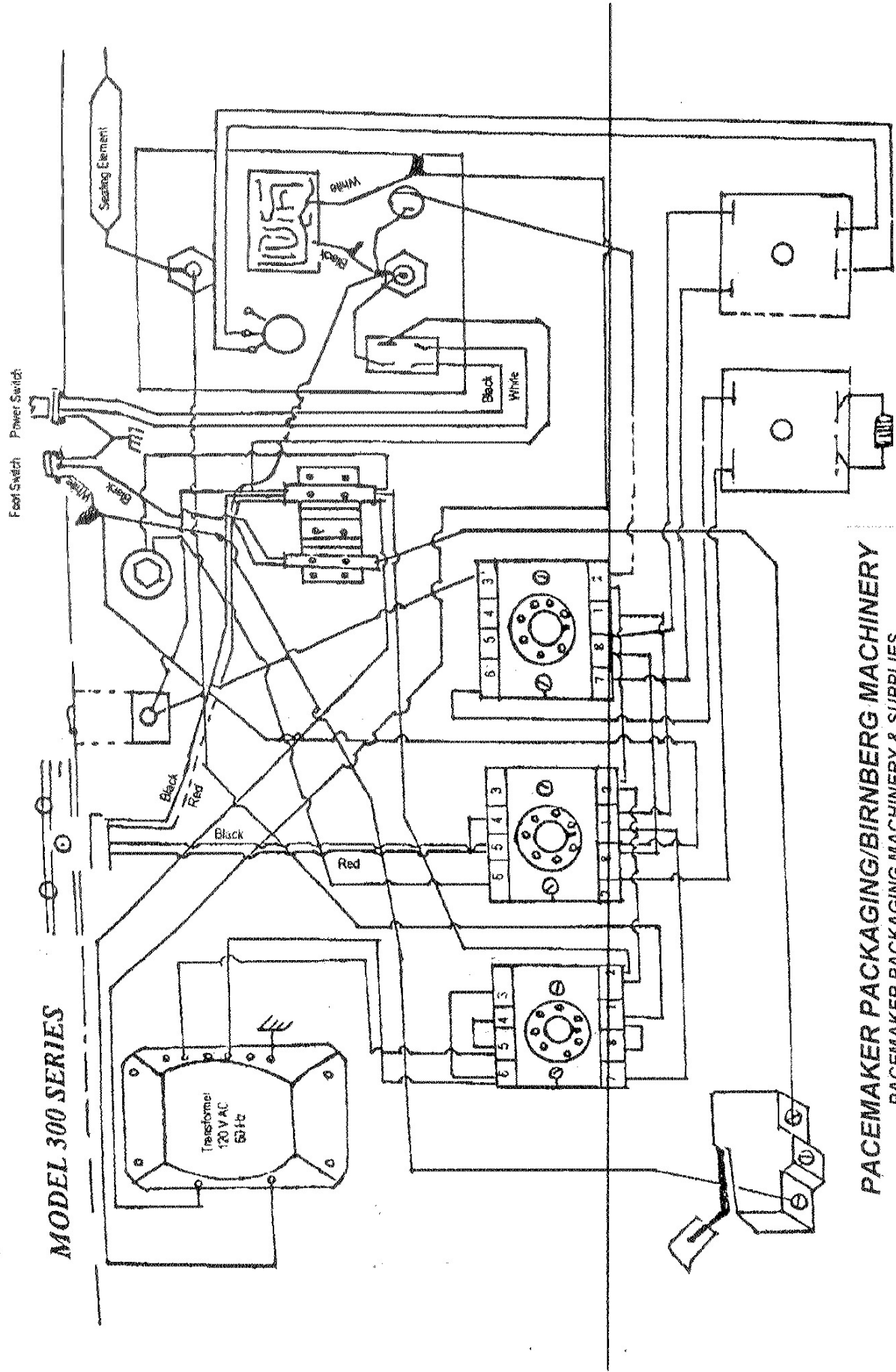
# Pacemaker 300 Series



## BIRNBERG MACHINERY

PACEMAKER PACKAGING - CHICAGO  
 4828 West Main St, Skokie, IL 60077-2512. Tel: 847-673-6242. Fax: 847-679-6600  
 Email: [rob@bagsealers.com](mailto:rob@bagsealers.com) Web: [www.pacemakerpackaging.com](http://www.pacemakerpackaging.com) or [www.bagsealers.com](http://www.bagsealers.com)

# MODEL 300 SERIES



**PACEMAKER PACKAGING/BIRNBERG MACHINERY**  
PACEMAKER PACKAGING MACHINERY & SUPPLIES  
4828 West Main Street, Skokie, IL 60077-2512  
847+673-5242/fax, 847 679-6600  
E-mail: [info@pacemakerpackaging.com](mailto:info@pacemakerpackaging.com)